



CJ19 Contactor for Capacitor Switching

1. General

1.1 Electric ratings: AC50/60Hz, up to 690V;

1.2 Standard: IEC/EN 60947-4-1



4. Technical data

Item		CJ19-25	CJ19-32	CJ19-43	CJ19-63	CJ19-95	CJ19-115	CJ19-150	CJ19-170	
Controllable capacitor Capacity	220/230V	6.7	10	15	20	35	40	46	52	
	380/400V	12.5	20	25	33.3	50	60	80	90	
	660/690V	18	26	36	48	92	100	120	130	
Rated Isolation Voltage U_i V		690					690			
Rated Operational Voltage U_e V		220/230V, 380/400V, 660/690V								
Conventional thermal current I_{th} A		25	32	43	63	95	200	200	275	
Rated Operational current I_e A (380V)		17	23	29	43	72.2	87	115	130	
Restrained surge capacity		20 I_e								
Controlled power voltage		110 127 220 380								
Auxiliary contact		AC-15: I_e :0.95A U_e :380/400V DC-13: I_e :0.15A U_e :220/250V Conventional thermal current I_{th} : 10A								
Operating Frequency cycles/h		120								
Electrical durability 10^4		10						2		
Mechanical durability 10^4		100						300		

2. Type designation

CJ 19 □ □

Number of auxiliary contacts

20: 2N/O, 11: 1N/O+1N/C

02: 2N/C (CJ19-25~43)

21: 2N/O+1N/C, 12: 1N/O+2N/C (CJ19-63~95)

10: 1N/O, 01: 1N/C (CJ19-115~170)

Basic model code

Design sequence No.

Contactor

3. Operating conditions

3.1 Ambient temperature: $-5^{\circ}\text{C} \sim +40^{\circ}\text{C}$,

the average during 24 hours should not exceed $+35^{\circ}\text{C}$;

3.2 Altitude: $\leq 2000\text{m}$;

3.3 Atmosphere conditions: At mounting site,

relative humidity not exceed 50% at the max temperature of $+40^{\circ}\text{C}$, higher relative humidity is allowable under lower temperature. For example,

RH could be 90% at $+20^{\circ}\text{C}$,

special measures should be taken to occurrence of dews;

3.4 Pollution degree: 3

3.5 Installation category: III

3.6 Installation conditions :

the inclination between installation plane and vertical plane is within $\pm 5^{\circ}$

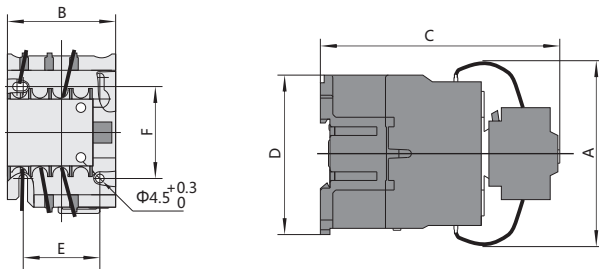
3.7 Impact and shake: the products should locate

in the places where there are no obvious impact and shake.

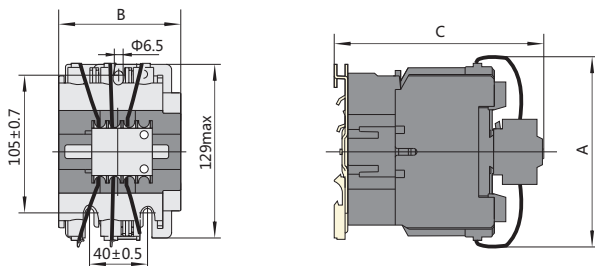
3.8 Protection class: IP10

5. Overall and mounting dimensions (mm)

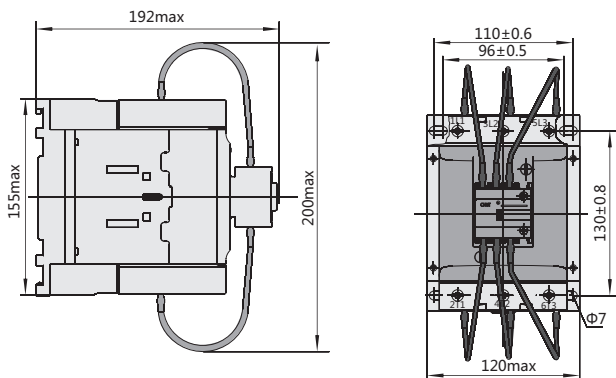
CJ19-25~43



CJ19-63~95



CJ19-115~170



Model	Amax	Bmax	Cmax	Dmax	E	F	Note
CJ19-25	80	47	124	76	34/35	50/60	
CJ19-32	90	58	132	86	40	48	Not only fixed by screws but also could be fixed with 35mm din rail
CJ19-43	90	58	136	86	40	48	
CJ19-63	132	79	150	-	-	-	Not only fixed by screws but also could be fixed with 35mm and 75mm din rail
CJ19-95	135	87	158	-	-	-	
CJ19-115	200	120	192	155			
CJ19-150	200	120	192	155			
CJ19-170	200	120	192	155			Not only fixed by screws but also could be fixed with two 35mm din rail

6. Wiring and installation

- 6.1 The connection terminals are protected through insulation cover, which is reliable and secure for installation and operation;
- 6.2 For CJ19-25~43, screws are available for installation, as well as the DIN rail;
 - for CJ19-63~95, 35mm or 75mm standard rail are available for installation.
 - for CJ19-115~170, screws are available for installation, as well as two 35mm DIN rail.

